

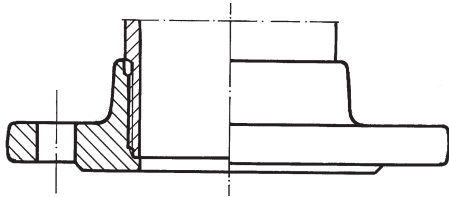


Flanschabmessungen PN 10 – PN 16

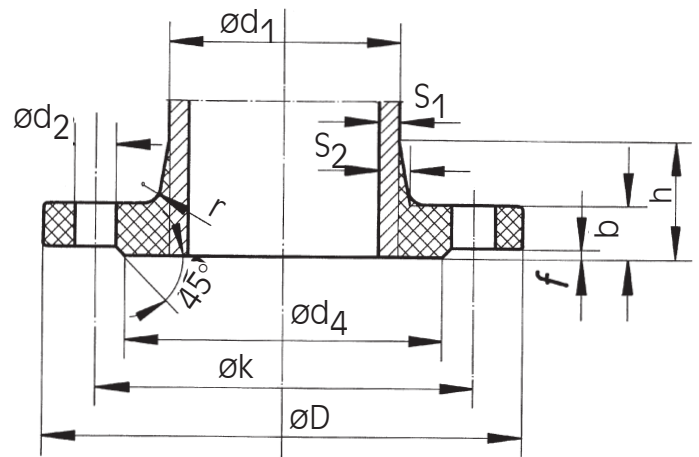
Normen:

PN 10 – EN 1092-2

PN 16 – EN 1092-2



Flanschverbindung aufgeschraubt



Flanschverbindung angegossen

| Nenn- weite DN | PN bar | Rohr d_1 | Flansch | | | Schrauben | | | Übergang | | | | GG | | GGG | |
|-------------------|-----------|---------------|---------|-----|---|-----------|---------|-------|----------|-------|----|-------|------|------|------|------|
| | | | D | k | f | Anzahl | Gewinde | d_2 | h | s_2 | r | d_4 | b | kg | b | kg |
| 50 | 10/16 | 66 | 165 | 125 | 3 | 4 | M 16 | 19 | 40,0 | 12,0 | 5 | 98 | 23,5 | 2,6 | 19,0 | 2,1 |
| 65 | | 82 | 185 | 145 | 3 | 4 | M 16 | 19 | 41,5 | 12,5 | 5 | 118 | 24,0 | 3,3 | 19,0 | 2,5 |
| 80 | | 98 | 200 | 160 | 3 | 8 | M 16 | 19 | 43,0 | 13,0 | 6 | 133 | 24,0 | 3,7 | 19,0 | 2,8 |
| 100 | | 118 | 220 | 180 | 3 | 8 | M 16 | 19 | 45,0 | 13,5 | 6 | 153 | 25,0 | 4,2 | 19,0 | 3,3 |
| 125 | | 144 | 250 | 210 | 3 | 8 | M 16 | 19 | 47,5 | 14,5 | 6 | 183 | 25,5 | 5,3 | 19,0 | 4,0 |
| 150 | | 170 | 285 | 240 | 3 | 8 | M 20 | 23 | 50,0 | 15,0 | 6 | 209 | 26,0 | 6,7 | 19,0 | 5,0 |
| 200 | 10 | 222 | 340 | 295 | 3 | 8 | M 20 | 23 | 55,0 | 16,5 | 8 | 264 | 27,5 | 9,3 | 20,0 | 6,9 |
| | 12 | | | | | 9,3 | | | | | | | | 6,7 | | |
| 250 | 10 | 274 | 400 | 350 | 3 | 12 | M 20 | 23 | 60,0 | 18,0 | 8 | 319 | 29,0 | 12,0 | 22,0 | 8,8 |
| | 16 | | | 355 | | | M 24 | 28 | | | | | | 12,0 | | 9,4 |
| 300 | 10 | 326 | 455 | 400 | 4 | 12 | M 20 | 23 | 65,0 | 19,5 | 8 | 367 | 31,5 | 14,8 | 24,5 | 13,0 |
| | 16 | | | 410 | | | M 24 | 28 | | | | | | 14,8 | | 12,6 |
| 350 | 10 | 378 | 505 | 460 | 4 | 16 | M 20 | 23 | 70,0 | 21,0 | 8 | 427 | 33,0 | 19,0 | 24,5 | 14,7 |
| | 16 | | 520 | 470 | | | M 24 | 28 | | 27,0 | | | | 10 | | 438 |
| 400 | 10 | 429 | 565 | 515 | 4 | 16 | M 24 | 28 | 75,0 | 22,5 | 10 | 477 | 34,0 | 23,4 | 24,5 | 17,2 |
| | 16 | | 580 | 525 | | | M 27 | 31 | | 29,0 | | | | 490 | | 38,0 |
| 500 | 10 | 532 | 670 | 620 | 4 | 20 | M 24 | 28 | 85,0 | 25,5 | 10 | 582 | 37,0 | 32,1 | 26,5 | 23,2 |
| | 16 | | 715 | 650 | | | M 30 | 34 | | 31,0 | | | | 12 | | 610 |
| 600 | 10 | 635 | 780 | 725 | 5 | 20 | M 27 | 32 | 95,0 | 28,5 | 10 | 682 | 41,0 | 44,0 | 30,0 | 32,8 |
| | 16 | | 840 | 770 | | | M 33 | 37 | | 33,0 | | | | 12 | | 725 |