

## EURO 2000-RW 0

2 outlets - one upon the other

### Fig. 275

acc. to EN 14384

SGG, GGG, NGG



Operating pressure: max. 16 bar (PN 16)

Outlets: DN 80: 2B, alternatively 1B/1C  
DN 100: 2A, alternatively 2B or 1B/1A

#### Materials and surface protection:

Pipe made of steel or ductile cast iron, hot-dip galvanized throughout + external 2-component PU coating or stainless steel 1.4571, polished.

Head made of ductile cast iron, with all-over epoxy fluidized bed coating + external powder coating on polyester basis (UV resistant) in RAL 3000 (firered).

Base made of ductile cast iron, with all-over epoxy fluidized bed coating.

Rod tube of stainless steel 1.4301, pickled.

Sealing piston of gunmetal (RG 7).

Spindle made of stainless steel, grade 1.4021.

All other parts are made of non-corrosive materials.

The sealing piston provides for pressure control and tightness in the brass fit by its vulcanized packing profile of EPDM rubber. The opening stroke of the piston (50 mm) forces the function of drainage with pressure control.

Complete drainage – remaining water zero (RW 0).

The head with the outlets can be easily turned by 360° by loosening the 4 stainless steel screws, thus considerably facilitating erection.

All inner parts can be dismantled to the top without digging out the hydrant.

#### Special coating: (against surcharge)

In RAL standard colours.

**Head:** all-over epoxy fluidized bed coating + external powder coating on polyester basis (UV resistant).

**Pipe:** hot-dip galvanized with 2-component primer and subsequent 2-component top coat.



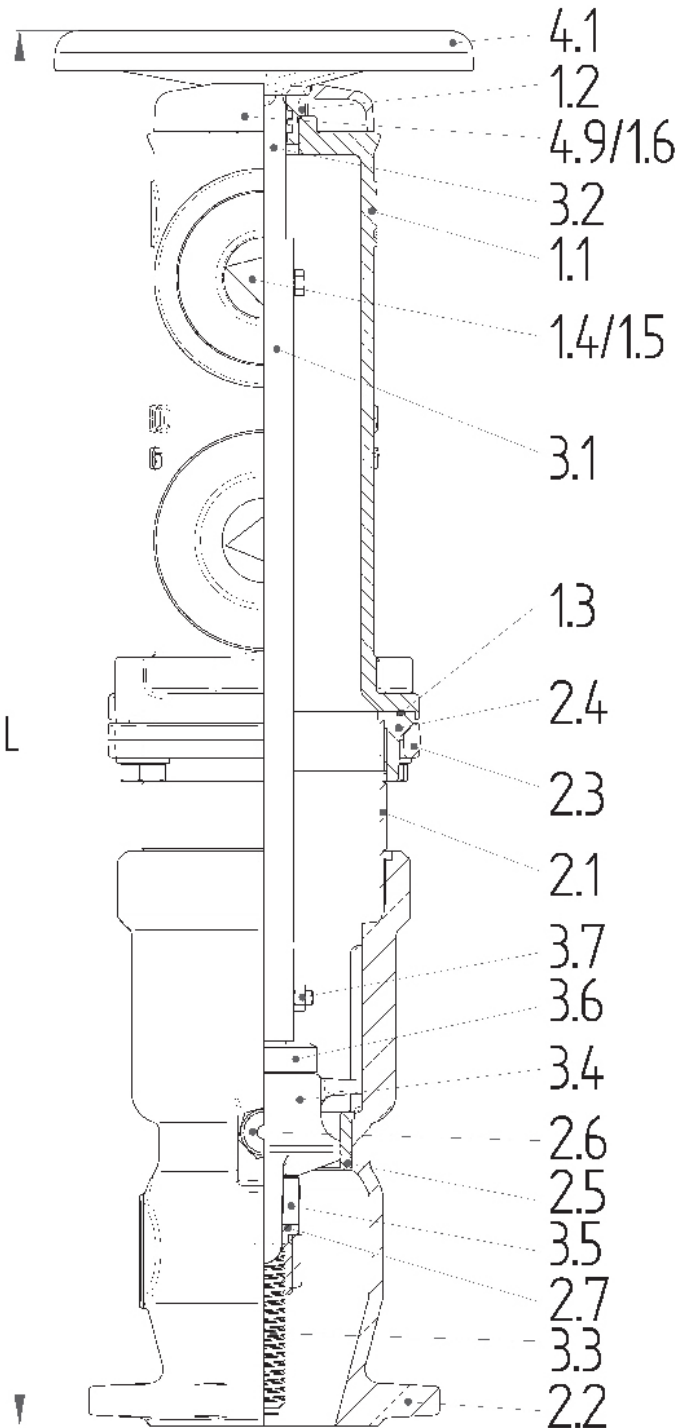
## EURO2000-RW 0

2 outlets - one upon the other

### Fig. 275

SGG, GGG, NGG

Typ 1B/1C



	Lmin
DN 80	800 mm
DN 100	1000 mm

Each pipe cover from Lmin available on request.

Teil	Benennung	Werkstoff	Stück
1	BG Head		
1.1	Head	GGG	1
1.2	Head bush	Ms 58	1
1.3	O-Ring Ø152x4	NBR	1
1.4	Coupling	AlSiMg	2
1.5	cap	AlSiMg	2
1.6	Air release valve	Delrin	1
1.7	O-ring 25 x 3,5	NBR	1
2	BG Pipe		
2.1	Pipe DN 125	St, GGG, Niro	1
2.2	Base DN 80 EURO	GGG	1
2.3	Clamping ring	GGG	1
2.4	Headring 80	GGG	1
2.5	Packing ring	Ms 58	1
2.6	Drainage	Ms 58	1
2.7	Spindle nut	Ms 58	1
3	BG Rod		
3.1	Pipe 1"	NIRO	1
3.2	Rod end	Ms 58	1
3.3	Spindle	1.4301	1
3.4	Piston	RG7+EPDM	1
3.5	Lock washer	Ms 58	1
3.6	Piston nut	Ms 58	1
3.7	Hexagon head bolt M8 x 45	V2A	2
3.8	Hexagon nut M8	V2A	2
3.9	O-ring 25 x 3,5	NBR	2
4	Accessories		
4.1	Handwheel	GGG	1
4.2	Allen screw M8x16	V2A	1
4.3	Washer M8	A2	1
4.4	Hexagon head screw M16x45	V2A	4
4.5	Washer	V2A	4
4.6	Chain	1.4301	2
4.7	Draining bend 90°	Ms 58	1
4.8	PE - pipe 1"	PE - HD	1
4.9	Dust protection cap	AlSiMg	1

Base flange dimensions to EN 1092-2.